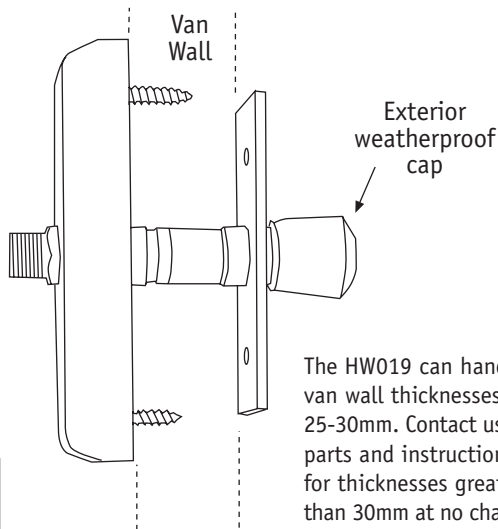


# Thru Van Wall Internal-External TV Cable Connector - HW019

**A waterproof, permanent solution to trailing TV antenna cables around your caravan.**

- ¥ Digital and Satellite ready.
- ¥ Ideal replacement product - replace faulty previously installed fittings.
- ¥ Fix and forget - nothing to break.
- ¥ Do it yourself - quick and easy using drill and screws only.
- ¥ No wiring connections.
- ¥ Adjustable to suit various van wall thicknesses.
- ¥ Rubber weather cap on exterior keeps out moisture.

Through van wall by Happy Wanderer  
Registered Design No 138448



The HW019 can handle van wall thicknesses of 25-30mm. Contact us for parts and instructions for thicknesses greater than 30mm at no charge.